

# Wave

## TECHNICAL FEATURES



### Description

Foldable electronic flag waver, reflector and equipped with EN12352 certified optic (class L8M or L9M). Flag adjustable to the right or left.

### OPTICAL FEATURES

Light source	Basic211	Basic309
Optic	Single-side	
Colors	Amber	
Optical Group Life	> 50'000 Hours	

### ELECTRICAL FEATURES

Power Supply	12 Vdc (11 Vdc ÷ 15 Vdc)	
Power consumption	24 W	25 W
Insulation Class	Class III	
Flashing	60 flash/min	
Duty cycle	10%	
Waving frequency	0.5 Hz	
Operation	3 position switch (waving + flashing, flashing, off)	

### MECHANICAL FEATURES

Operating temperature	-10 °C ÷ 55 °C	
LED lamps IP protection Degree	IP65	
Cart IP protection Degree	IP54	
Weight	30 Kg (without battery)	
Dimensions (open)	775 x 490 x 1485 mm	
Dimensions (closed)	1055 x 490 x 545 mm	
LED lamps materials	Polycarbonate (Lens); PA6 (Body)	
Cart material	Painted galvanized steel	

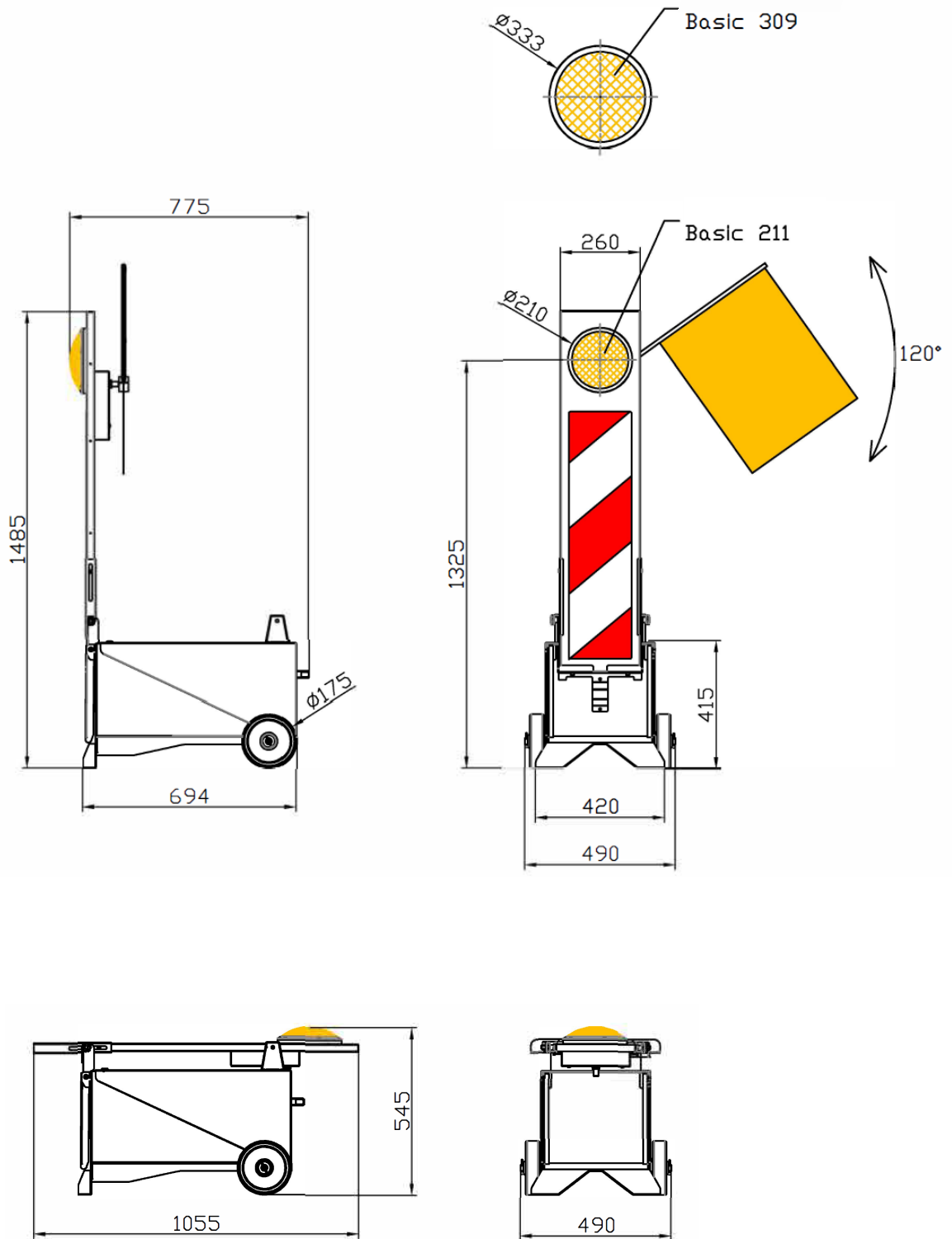


Rev. 3.0

29/09/2023

Approved TEC

Approved AQ



Rev. 3.0  
29/09/2023

Approved TEC

Approved AQ