

# Indicator Flat 3 SL16

## TECHNICAL FEATURES



### Description

Mobile speed bollard with integrated radar, ideal as an active signal for speed reduction near road construction sites and other mobile applications.

### DISPLAY FEATURES

LED colours	Amber, red, green, white
Character height	300 mm
Power supply	12 Vdc (11÷14 Vdc)
Maximum power consumption	11 W
Software	App Android included
Connections	USB, Bluetooth, Wi-Fi, LAN, HSDPA, GPRS/GSM/GPS
Display dimensions	645 x 410 x 75 mm
Special features	Smile + Speed limit
Insulation class	Class III

### MECHANICAL FEATURES

Operating temperature	-10°C ÷ +55°C
Display IP protection Degree	IP64
Cart IP protection Degree	IP54
Weight	25 Kg (without battery)
Dimensions (Open)	780 x 440 x 1850 mm
Dimensions (Closed)	780 x 440 x 601 mm
Adjustable height	1600/1725/1850 mm
Display material	Aluminum
Cart material	Painted galvanized steel

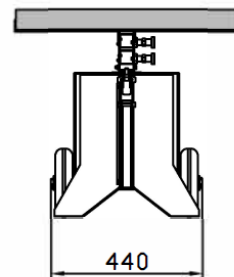
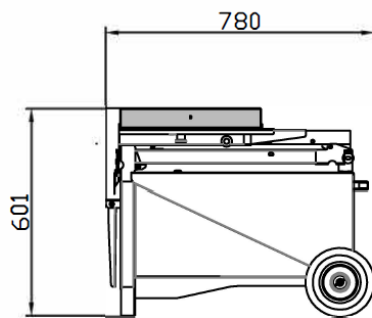
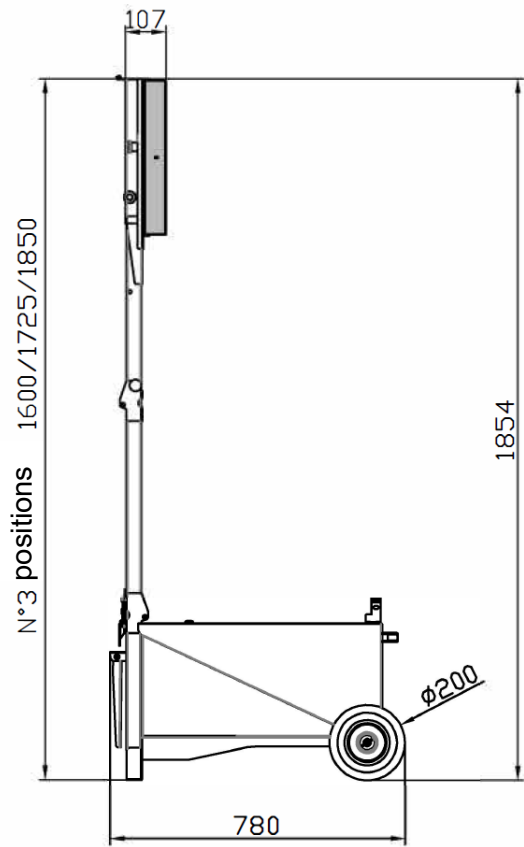
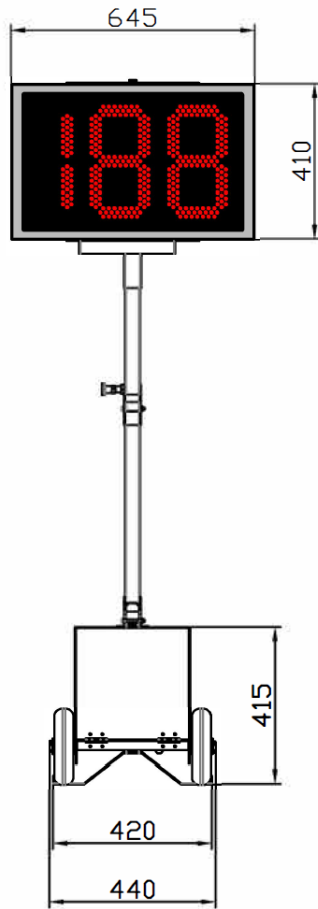


Rev. 3.0

29/09/2023

Approved TEC

Approved AQ



Rev. 3.0  
29/09/2023

Approved TEC

Approved AQ