

## TECHNICAL FEATURES



Description	
LED marker for guard-rails.	

### OPTICAL FEATURES

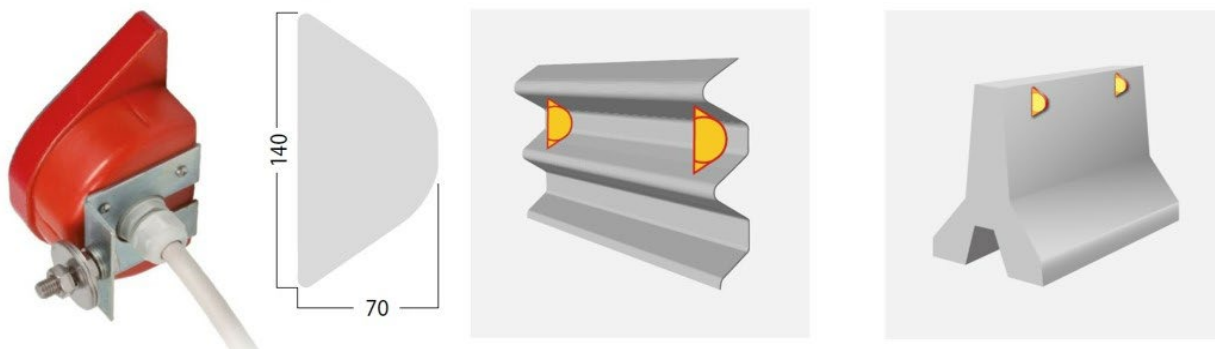
Compliance	UNI EN12352: L2H		
Light source	10 LED		
Optics	Single-Side		
Colors	Amber / Red		
Luminous Intensity	> 300 cd		
Type of Light	Steady	Synchronous flashing	Sequential flashing
Optical Group Life	> 50'000 Hours		

### ELECTRICAL FEATURES

Power Supply	18 Vdc ÷ 48 Vdc
Consumption	3.9 W

### MECHANICAL FEATURES

Operating temperature	-10°C ÷ +55°C
Material	ABS
IP Protection Degree	IP65
Weight	500 g
Dimensions	70 mm x 140 mm x 45 mm
Fixing	Shaped bracket for fixing to guard-rails or new-jersey



Rev. 3.0 04/02/2023		Approved TEC		Approved AQ
------------------------	--	--------------	--	-------------